



# SLURRY PUMP

## 渣浆泵



河北德林机械有限公司

HEBEI DELIN MACHINERY CO.,LTD.

## Company Profile 公司简介

河北德林机械有限公司是中国最大的渣浆泵专业生产制造厂之一。公司占地4万多平方米，建筑面积2.2万多平方米。主要为疏浚、矿山、冶金、市政、电力、煤炭、火电烟气脱硫、石油、化工、建材等行业提供配套用泵。产品行销全国各省、市、自治区以外，还远销世界50多个国家和地区。

公司采用先进的计算机辅助设计软件进行产品和工艺设计，设计手段和设计水平达到国际先进水平。公司拥有一流的泵性能试验站，试验能力可达13000m<sup>3</sup>/h。公司年产整泵10000台，高铬合金铸件6000吨。主营产品为DG、DH(R)、DM(R)、DV(R)、DF(DHF)、DZ、DSC(R)等型渣浆泵。口径范围为25-1200mm，流量为5-30000m<sup>3</sup>/h，扬程为5-120m。公司产品的主要材质包括高铬耐磨白口铸铁、超高铬过共晶高耐磨白口铸铁、低碳高铬耐磨耐腐蚀合金、碳钢、不锈钢、双相不锈钢、球墨铸铁、灰铸铁等，还可提供模压天然橡胶、合成橡胶材质的零件和整机。

公司生产的渣浆泵在国际市场享有盛誉，已为美国、英国、德国、加拿大、俄罗斯、越南、巴基斯坦、哈萨克斯坦、印度尼西亚、马来西亚、伊朗、巴西、智利、阿根廷、保加利亚、赞比亚等国家的工程提供产品逾10000台套。

公司严格执行全面质量管理，并已通过ISO9001:2008GB/T19001-2008质量管理体系认证。公司秉承“品德团队，品质产品，品牌服务”的企业宗旨，“质量第一，客户至上”的原则，为客户提供优质的产品和满意的服务。

Hebei Delin Machinery Co.,Ltd. is one of the biggest pump companies specialised in manufacturing slurry pumps in China. It covers an areas of more than 40,000m<sup>2</sup> in land and over 22,000m<sup>2</sup> in building. The products are mainly used for river course, mining, metallurgical, city planning, power, coal, FGD, petroleum, chemical, building material, etc. Besides domestic market, our products are well sold to over 50 countries and regions.

The company uses advanced computer assistant engineering software to design products and technology, which makes our method and level of design reach international advanced level. The compny has the first-class pump performance testing station in the world ,and its test flowrate can reach 13000 m<sup>3</sup>/h. Annual productive output of our products is 10000 sets pumps and 6000 tons on high chrome alloy castings. Main products are Type DG, DH(R), DM(R), DV(R), DF(DHF), DZ, DSC(R), etc. Diameter range: 25-1200mm, Capacity: 5-30000 m<sup>3</sup> /h, Head:5-120m. The company can produce different materials including High Chromium White Iron, Super High Chromium Hypereutectic White Iron, Low Carbon High Chromium Alloy, Carbon Steel, Stainless Steel, Duplex Stainless Steel, Ductile Iron, Grey Iron, etc. Also can provide natural rubber, elastomer rubber parts and pumps.

Our slurry pumps have high reputation in the international market. Till now, we have provided more than 10000 sets of pumps for the projects in U.S.A., U.K., Germany, Canada, Russia, Vietnam, Pakistan, Kazakstan, Indonesia, Malaysia, Iran, Brazil, Chile, Argentina, Bulgaria, Zambia, etc.

The company implements Comprehensive Quality Control strictly and has been approved ISO9001:2008GB/T19001-2008 Quality Management System Certificate. The company adheres to enterprise 'Moral Character Team, Quality Product, Brand Service' and with the principle of 'Quality and Customers First' in order to provide clients an excellent product and satisfied service.

## 传动形式Type of Drive

ZVz传动/ZVz Drive



DCz传动/DCz Drive



CRz(CLz)传动/CRz(CLz)Drive



CV传动/CV Drive



## 质保体系Quality Control System

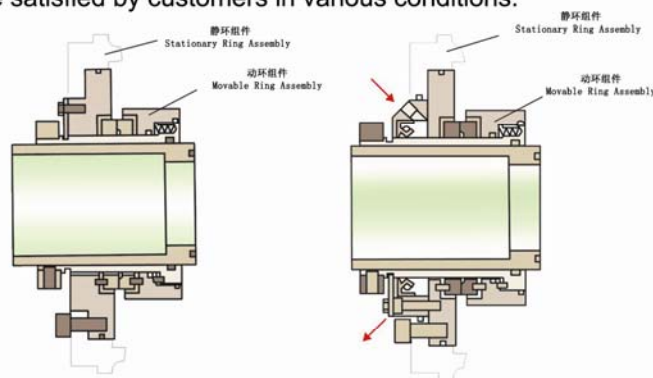
我公司拥有数字超声波探伤仪、光电直读光谱仪、金相分析仪、万能材料试验机、冲击试验仪、压力试验仪、硬度表等检验检测仪器和各种通用及专用量具、检具，并建有专业的泵类产品试验台，可对原料的材质和金相结构、零件加工、整机装配和产品性能等进行全面检测。

We have ultrasonic flaw detector ,photoelectric direct reading spectrometer, metallographic , all kinds of universal and special analyzer measuring tools ,such as universal material tester, impact tester ,pressure tester and hardness scale etc., and build professional test station of pump .They can have a comprehensive inspection for the material and the metallographic structure of raw materials ,parts machining, pump assembly and product performance and so on .

## 机械密封Mechanical Seal

国际领先的密封技术，无泄漏的密封效果。集装箱式结构，安装和更换方便，不同的结构型式适应不同的工况条件。摩擦部分材料采用高硬度陶瓷及合金材料，机械密封和密封箱设计与配合符合介质流动状态，因而具有较高的抗磨性和抗震性，在各种恶劣工况下均能保证顾客满意的密封效果。

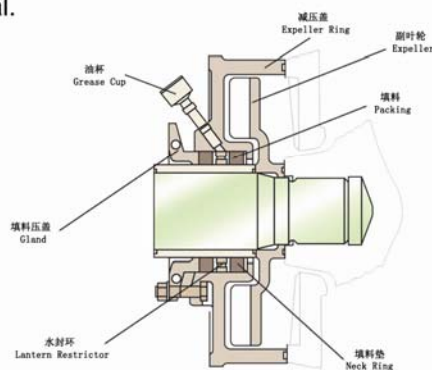
World-advanced sealing technique without sealing leakage, cartridge structure, convenient installation replacement, various constructions can suit for all kinds of conditions. High hardness ceramic and alloy materials are adopted for friction parts. Design matching of mechanical seal sealing box is suitable for fluid state. It possess high abrasive shake proof to guarantee that sealing effect can be satisfied by customers in various conditions.



## 副叶轮密封Expeller Seal

利用叶轮与串联的副叶轮产生的压力密封，填料和唇口密封圈作为停车密封。

Use pressure seal produced by impeller and expeller liner, we use the packing and lip sealing ring for shut down seal.



## 产品应用 Product Application

行业 Industry 产品 Product	电力 Power	冶金 Metallurgical	矿山 Mining	市政 City planning	煤炭 Coal	化工 Chemical
DH(R)系列渣浆泵 DH(R) Type Slurry Pump	★	★	★	★	★	★
DM(R)系列渣浆泵 DM(R) Type Slurry Pump	★	★	★	★	★	★
DG 系列砂砾泵 DG Type Gravel Pump	★	★	★	★	★	
DF(DHF)系列泡沫泵 DF(DHF) Type Froth Pump		★	★			
DV(R)系列液下泵 DV(R) Type Sump Pump	★	★	★	★	★	★

## 密封形式 Type of Seal

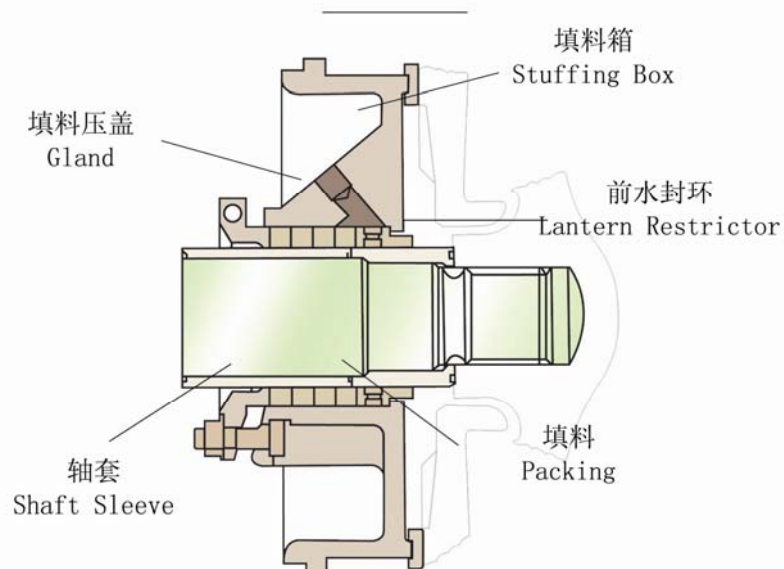
密封形式多样，根据工况不同，相同型号的产品可以更换多种密封形式。密封分为填料密封、机械密封、副叶轮动力密封及各类组合型密封。

Seal type is multiple, the same products can change different type of sealing according to the operating condition. Seal type can be gland seal, mechanical seal, expeller seal and all kinds of combined seals.

## 填料密封 Gland Shaft Seal

常规轴封形式，适用于各种工况条件，可配用聚四氟乙烯填料、该密封需配带低流量或全流量密封冲洗水装置。石墨填料等特殊材质，用于腐蚀性或者高温条件下。可配用喷焊陶瓷轴套，适用于强磨蚀工况。

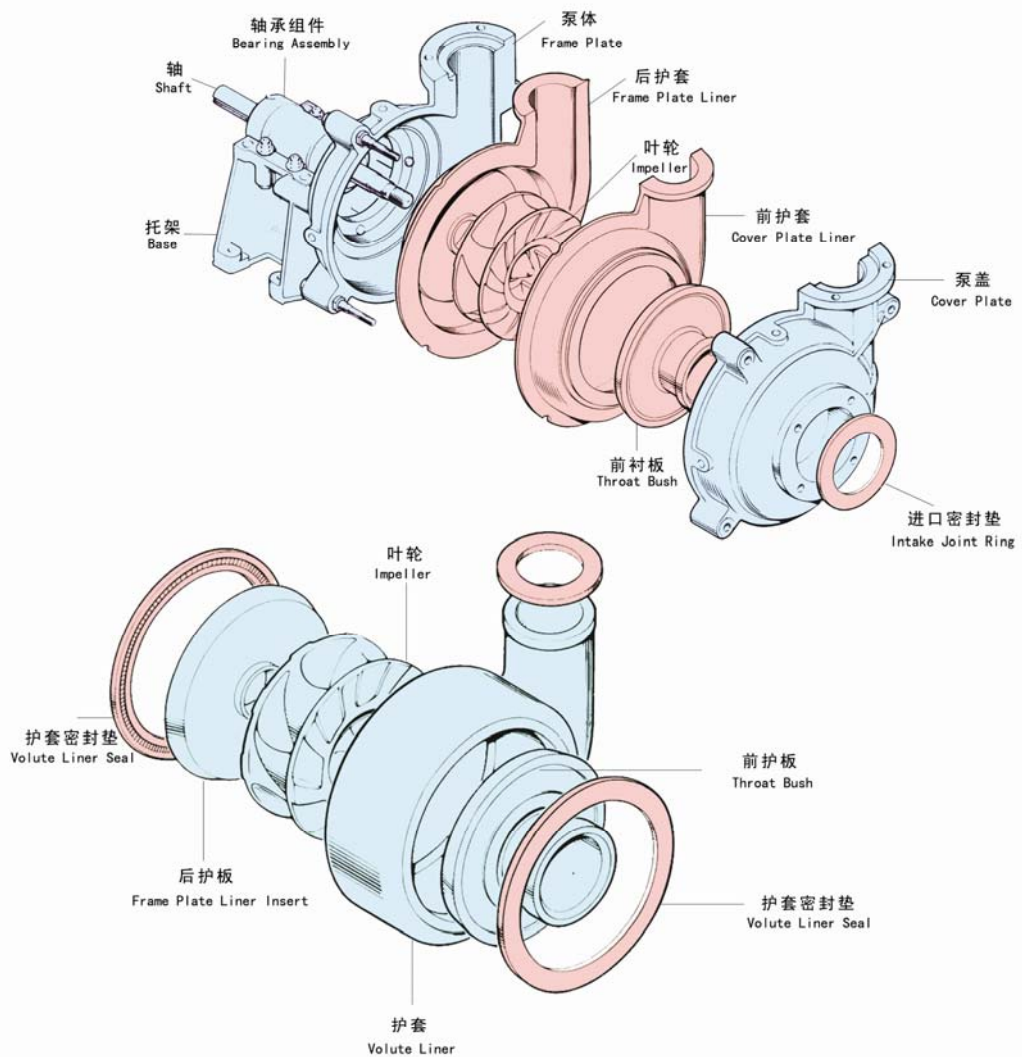
A packing gland seal is standard type which can be used for all kinds of operating condition with the packing materials of PTFE and graphite etc that are used for corosive or high temperature condition. The material of shaft sleeve can adopt ceramic shaft sleeves of spray weldings , wich is used for strong abrasive condition duty.It can be fitted with a low flower or a full flow flush seal water arrangement ,



## 模块化设计 Modular Design

所有产品均采用模块化设计，使得所有泵结构均具有相对独立性，良好的互换性和通用性。材质也可根据工况进行调整。

All products are designed by modular so as to the construction of all pumps possesses relative independence, good interchangeability and universality. The material also can be adjusted according to operating condition.





## 河北德林机械有限公司

地址：中国河北省石家庄市元氏大街271号

电话：0086-311-86481658/1688

传真：0086-311-86481668

电子邮箱：sales@delinco.com; info@delinco.com

邮编：051130

网址：www.delinco.com

## Hebei Delin Machinery CO.,LTD.

ADD: NO.271, Yuanshi Street, Shijiazhuang City

Hebei Province, China

TEL: 0086-311-86481658/1688

FAX: 0086-311-86481668

EMAIL: sales@delinco.com; info@delinco.com

ZIP CODE: 051130

WEB: www.delinco.com